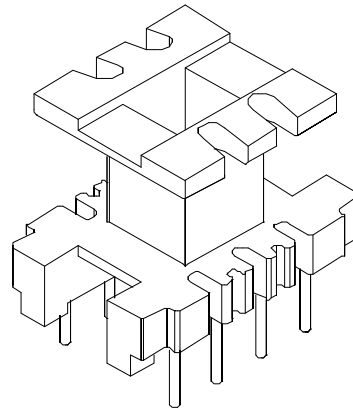
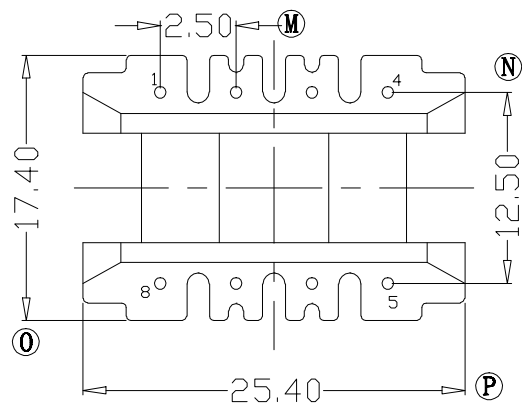
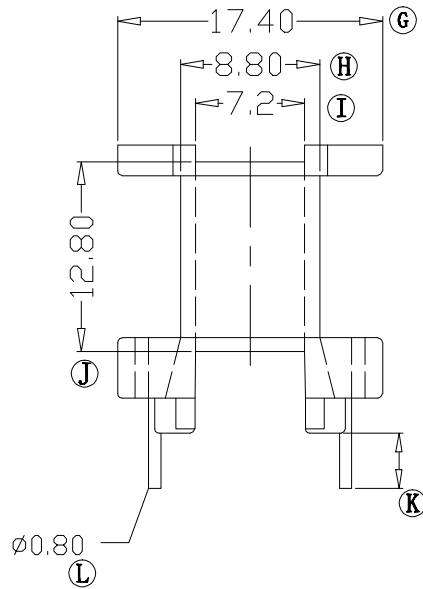
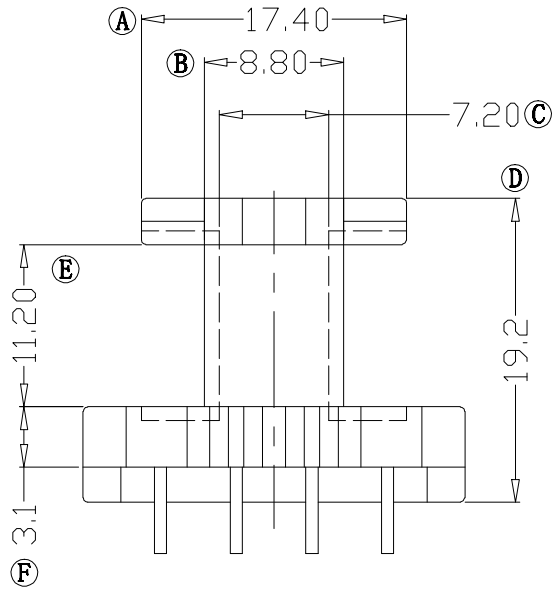


ZX-25D



REV.	REVISIONS REC.		DATE	REV.	REVISIONS REC.		DATE
1				4			
2				5			
3				6			
DRAWN & DRAFTED BY		LIU WEI QIANG		TOLERANCES		ANGLE: $\pm 1^\circ$	
CHECKED & APPROVED BY		MA BU JIAN		pin pitch		TITLE: EI-25(4+4P)	
				0 $L \le 4$ ± 0.1		BOBBIN MATERIAL: PHENOLIC	
				4 $L \le 16$ ± 0.2		UL REC. UL 94V-0	
				16 $L \le 63$ ± 0.3		PIN MATERIAL: CP WIRE	
				UNIT: MM		PIN TENSION LOAD: 1.2KG MIN	
				SCALE:		DATE: 2011.09.12	
				DRAWING NO. ZX-25D		REV. A01	



智信电子塑胶有限公司
ZHI XIN ELECTRONICS PLASTIC CO., LTD.
 TEL: 0769-86389901-2 FAX: 0769-86389903

